

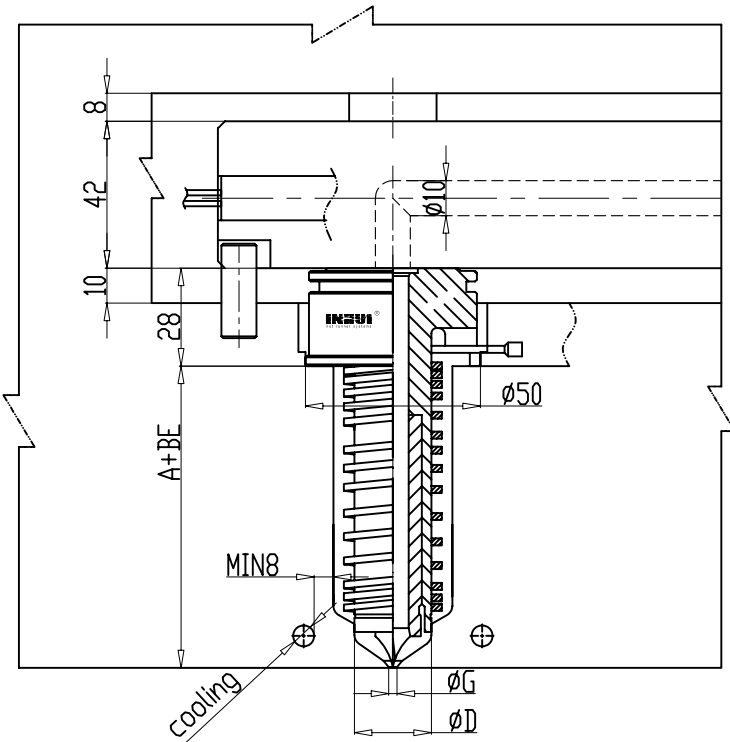
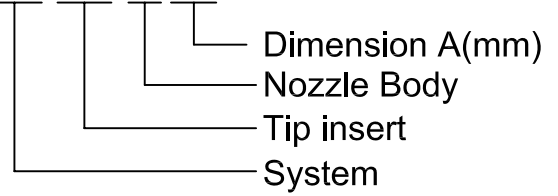
units:mm

INSTAN-ITT2200	TYPE	DIM.A	DIM.D	DIM.G
	2256	56	22	Ø1.4~Ø3
	2286	86	22	Ø1.4~Ø3

Ordering example

INS-ITT-22-A

INS-ITT-22-56



Max shoot weight (gm)

Bush Code	Flow Type Material		
	Hight	Medium	Low
ITT2200	1000	700	450

Note: The heat expand must be considered in manufacture and assembly, generally it is called "BE"

Function BE:  $BE = A \times 13.2 \times 10^{-6} \times (\text{The temperature of nozzle} - \text{room temperature } 21^\circ\text{C})$